

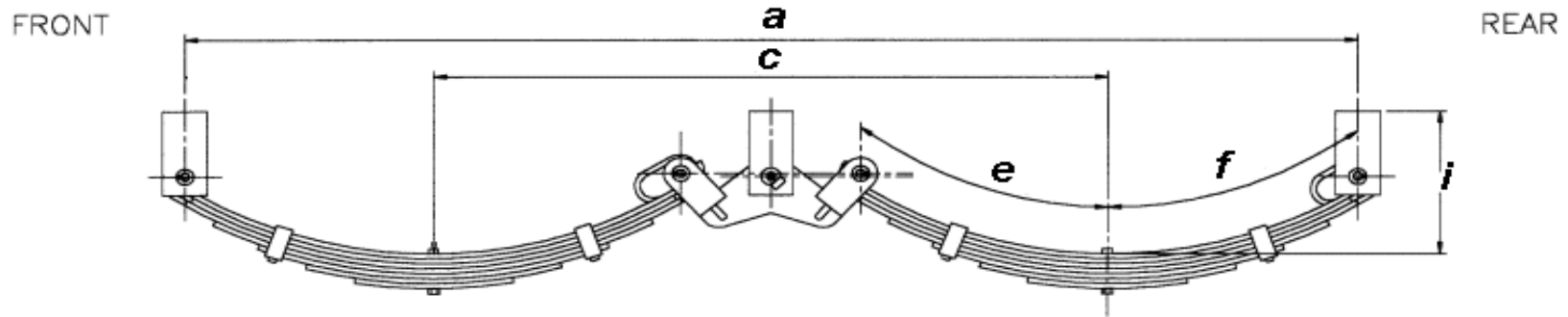


FITTING INSTRUCTIONS PART # 1003A (center bolt)

A = 1600MM

C = 900MM

I = 200MM



Disclaimer: As spring rolls can vary, please stretch springs out to their outer points before welding at suggested measurements to ensure for a correct fitting.*These measurements are a guide only*
